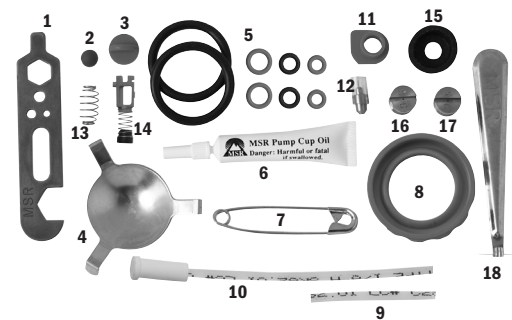


EXPEDITION SERVICE KIT XGK™ EXPEDITION STOVE INSTRUCTIONS



Included in this kit:

1. Jet & Cable Tool
2. Check Valve ball
3. Check Valve Plug
4. XGK Flame Spreader
5. O-Rings. See Sizing Chart
6. Pump Cup Oil
7. Safety Pin
8. Pump Seal
9. Air Tube
10. Fuel Tube and Filter
11. Fuel Tube Bushing
12. Shaker Needle (with cover)
13. Check Valve Spring
14. Check Valve Assembly
15. Pump Cup
16. GK Jet
17. X Jet
18. Jet Cleaning Wire

Kitinhalt:

1. Düsen- und Kabelwerkzeug
2. Rückschlagventilkugel
3. Rückschlagventilpfropfen
4. XGK-Flammenverteiler
5. O-Ringe. Siehe Tabelle der Größen
6. Pumpenlageröl
7. Sicherheitsnadel
8. Pumpendichtung
9. Luftschlauch
10. Benzinschlauch und Filter
11. Brennstoffleitungsmuffe
12. Düsennadel (mit Hülle)
13. Rückschlagventilfeder
14. Rückschlagventilbaugruppe
15. Pumpenlager
16. GK-Düse
17. X-Düse
18. Düsenreinigungsdraht

Ce kit contient les éléments suivants :

1. Outil multifonction
2. Bille de la valve anti-retour
3. Soupape de la valve anti-retour
4. Répartiteur de flamme XGK
5. Joints d'étanchéité. Voir le tableau des dimensions
6. Huile pour coupelle de pompe
7. Épingle de sûreté
8. Joint de la pompe
9. Tube d'air
10. Tube de carburant et filtre
11. Bague du tube de carburant
12. Aiguille de secouage (avec étui protecteur)
13. Ressort de la valve anti-retour
14. Ensemble de la valve anti-retour.
15. Coupelle de la pompe
16. Gicleur GK
17. Gicleur X
18. Fil de nettoyage du gicleur

このキットに含まれているもの :

1. ジェット&ケーブルツール
2. チェックバルブ ボール
3. チェックバルブプラグ
4. XGK フレーム スプレッダー
5. O リング。サイズ表を参照してください
6. ポンプカップオイル
7. 安全ピン
8. ポンプシール
9. エアチューブ
10. 燃料チューブとフィルタ
11. 燃料チューブブッシング
12. シェーカーニードル (カバー付)
13. チェックバルブスプリング
14. チェックバルブアセンブリ
15. ポンプカップ
16. GK ジェット
17. X ジェット
18. ジェットクリーニングワイヤ

ILLUSTRATION 1 | FIGURE 1 ABBILDUNG 1 | 図 1

- | | |
|-------------------|-------------------------------------|
| A Panwires | A Supports de casseroles |
| B Flame Spreader | B Répartiteur de flamme |
| C Jet | C Gicleur |
| D Shaker Needle | D Aiguille de secouage |
| E Generator Tube | E Tube du générateur |
| F Burner Cup | F Coupelle de combustion |
| G Fuel Line | G Conduite de carburant |
| H Fuel Line Cable | H Câble de la conduite de carburant |
| I Catch Arm | I Crochet de verrouillage |

- | | |
|---------------------------|---------------|
| A Pfannenhalterung | A バンワイヤー |
| B Flammenverteiler | B フレーム スプレッダー |
| C Düse | C ジェット |
| D Düsennadel | D シェーカーニードル |
| E Generatorschlauch | E ジェネレーターチューブ |
| F Brennerkopf | F バーナーカップ |
| G Brennstoffleitung | G 燃料パイプ |
| H Brennstoffleitungskabel | H 燃料パイプケーブル |
| I Sperrhaken | I キャッチアーム |

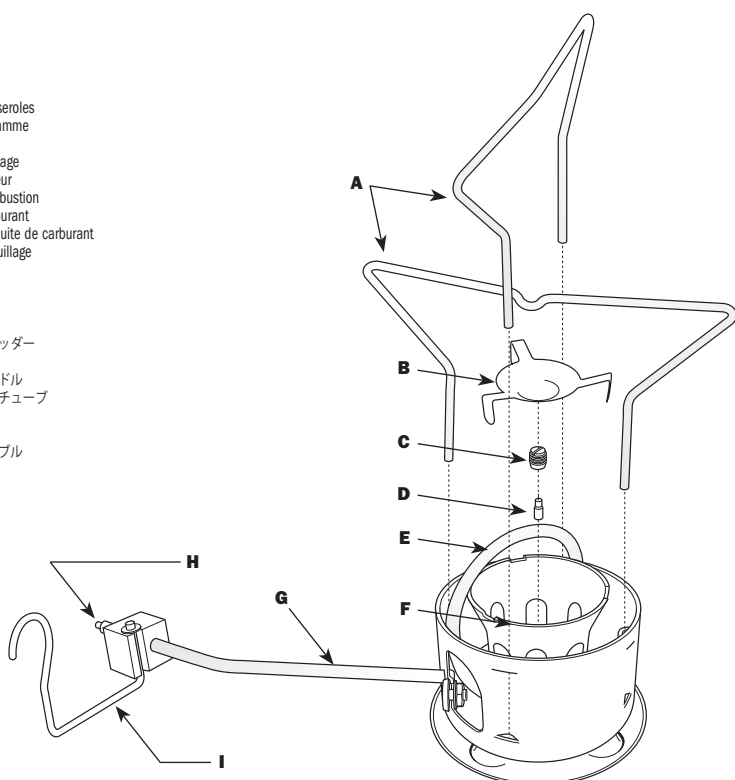


ILLUSTRATION 2 | FIGURE 2 ABBILDUNG 2 | 図 2

Unscrewing the Jet | Dévissage du gicleur
Abschrauben der Düse | ジェットのねじをゆるめる

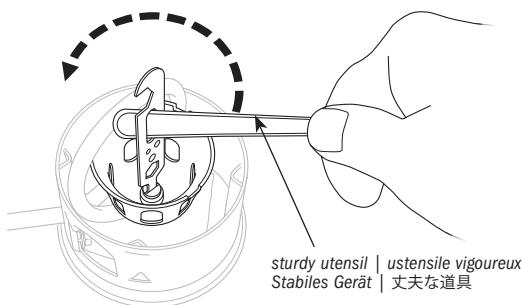
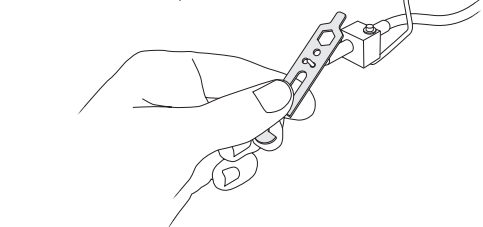


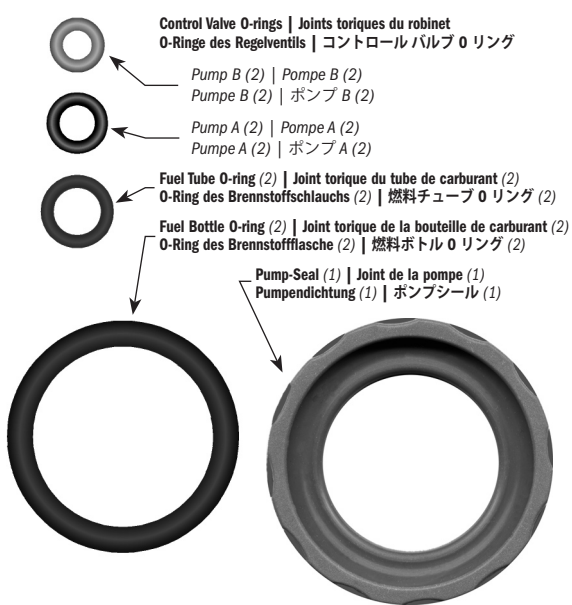
ILLUSTRATION 3 | FIGURE 3 ABBILDUNG 3 | 図 3

Removing the Cable | Démontage du câble
Entfernen des Kabels | ケーブルを取り外す



O-RING SIZING CHART | TABLEAU DES DIMENSIONS DES JOINTS TORIQUES TABELLE DER O-RINGGRÖßEN | O リングサイズ表

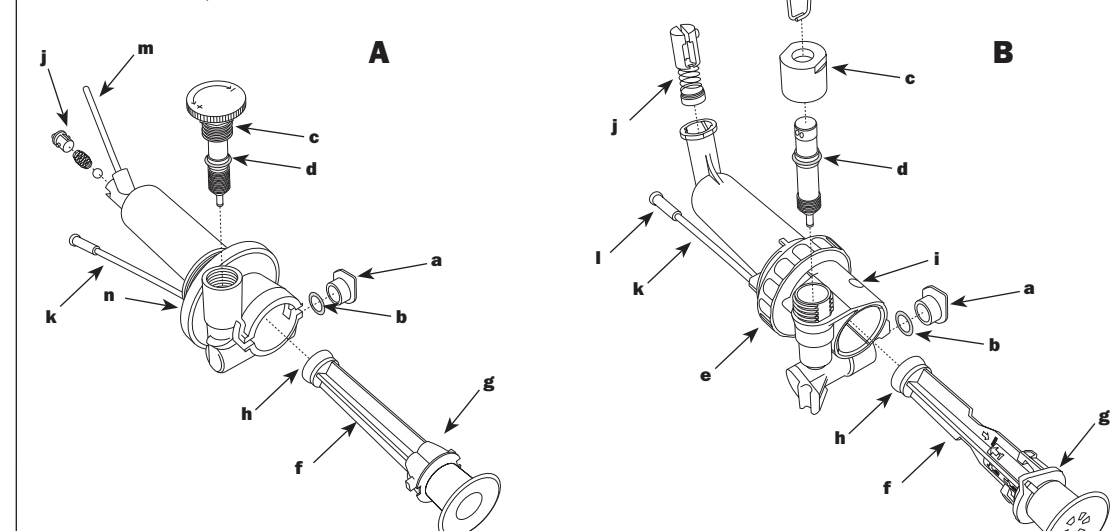
Actual Size | Actual Size | Tatsächliche Größe | 実際のサイズ



Lay actual O-Ring onto chart to properly identify
Placez le joint torique sur ce tableau afin de l'identifier correctement
Legen Sie den O-Ring auf die Tabelle, um ihn richtig zuzuordnen
実際の O リングを表の上において正確に識別する

ILLUSTRATION 5 | FIGURE 5 ABBILDUNG 5 | 図 5

Pump Exploded View | Vue éclatée de la pompe
Detailansicht der Pumpe | ポンプ分解図



- | | | | |
|---------------------------|---|--|----------------------|
| a. Fuel Tube Bushing | a. Bague du tube de carburant | a. Brennstoffleitungsmuffe | a. 燃料チューブブッシング |
| b. Fuel Tube O-ring | b. Joint torique du tube de carburant | b. O-Ring des Brennstoffleitungsschlauchs | b. 燃料チューブ O リング |
| c. Control Valve Stop Nut | c. Écrou d'arrêt du robinet | c. Anschlagmutter des Regelventils | c. コントロールバルブ戻り止めナット |
| d. Control Valve (O-Ring) | d. Robinet (joint torique) | d. Regelventil (O-Ring) | d. コントロールバルブ (O リング) |
| e. Pump Seal | e. Joint de la pompe | e. Pumpendichtung | e. ポンプシール |
| f. Plunger | f. Plongeur | f. Pumpenkolben | f. プランジャー |
| g. Plunger Bushing | g. Bague du plongeur | g. Tauchkolbenmuffe | g. プランジャーブッシング |
| h. Pump Cup | h. Coupelle de la pompe | h. Pumpenlager | h. ポンプカップ |
| i. Locking Holes | i. Coches d'enclenchement | i. Befestigungsbohrungen | i. 固定穴 |
| j. Check Valve | j. Valve anti-retour | j. Rückschlagventil | j. チェックバルブ |
| k. Dip Tube | k. Tube plongeur | k. Tauchrohr | k. DIP チューブ |
| l. Fuel Filter | l. Filtre à carburant | l. Brennstofffilter | l. 燃料フィルタ |
| m. Air Tube | m. Tube d'air | m. Tauchrohr-Luftschlauch | m. エアチューブ |
| n. Fuel Bottle O-ring | n. Joint torique de la bouteille de carburant | n. Pumpendichtung/O-Ring der Brennstoffflasche | n. 燃料ボトル O リング |

ENG

WARNING

To avoid injury, read, understand, and follow all instructions and warnings in this manual before attempting any stove maintenance.

Inspect Pump Seal and O-rings regularly. Replace any seals that are cracked, worn, or damaged. Seals that are in poor condition may result in leaking fuel and present an extreme fire hazard. Fire hazards pose a serious risk of property damage, personal injury, and death. Always check for leaking fuel. If leaking fuel is found, DO NOT USE STOVE. See O-Ring Sizing Chart to identify seals.

Note: When temperatures are below -24° C (-10° F), O-rings may become stiff and break, resulting in fuel leaks.

Don't use your stove in any way other than what is described in your stove instructions. Don't alter the stove or use any non-MSR parts, including O-rings. Don't disassemble beyond what is described in these instructions. Don't use the stove if any parts are missing or broken. Don't interchange stove or pump parts from different models.

Failure to follow these warnings and instructions may result in serious injury or death.

STOVE MAINTENANCE

Deposits in the Jet and Fuel Line reduce fuel flow and impair stove performance. Minor deposits in the Jet can usually be cleared with the Shaker Needle (D). More extensive deposits may require extensive cleaning of the Jet or Fuel Line.

QUICKLY CLEARING THE JET

1. Close the Control Valve firmly and allow stove to cool.
2. Shake the stove up and down. An audible "rattle" is proof that the Shaker Needle (D) is functioning as designed.
3. Restart the stove. If performance does not improve, See EXTENSIVE CLEANING OF THE JET AND FUEL LINE.

EXTENSIVE CLEANING OF THE JET AND FUEL LINE

1. Remove the Panwires (A) and Flame Spreader (B). See Illustration 1.
 2. Unscrew the Jet (C) using the Jet & Cable Tool. A sturdy utensil may be used in the hole of the Jet & Cable Tool for added leverage. See Illustration 2.
 3. Remove the Shaker Needle (D).
 4. Clear the Jet orifice with the Jet Cleaning Wire tool.
 5. Pull the Cable (H) out of the Fuel Line using the Jet & Cable Tool. See Illustration 3.
- Note: If the Cable cannot be removed, spray a common lubricant such as WD-40™ inside the Fuel Line Elbow and let soak for approximately 15 minutes before removal. (Pump cup oil may be used instead of a lubricant spray).
6. Reinsert the Cable. Using short strokes, push the cable back and forth inside the Fuel Line approximately 20 times.
 7. With the Cable, Jet, and Shaker Needle removed, insert the end of the Fuel Line into the pump and fuel bottle.
 8. Pressurize the fuel bottle with 10-15 plunger strokes.
 9. Open Control Valve fully and flush 1-2 oz. (2-3 tablespoons) of fuel through the Fuel Line into an appropriate container.
- Warning: When flushing the fuel line, keep away from heat, sparks, and flame. Safely dispose of fuel when flushing is complete.
10. Reassemble stove. If stove performance is still impaired, repeat steps 5-9.

PUMP MAINTENANCE

WARNING! Always check for leaking fuel, especially after any stove or pump maintenance and replacement of seals. Check for leaks near every seal, including the Pump Seal, Fuel Line connection, Control Valve area, Pump Plunger, and at the Flame Adjuster on the Stove. If leaking fuel is found, Do Not Use Stove. Repair it or send it to your MSR retailer or MSR Product Service Center for repairs.

INSPECTING AND REPLACING SEALS

Fuel Tube O-ring

1. Remove plunger. See Lubricating the Pump Cup.
2. Using the Jet and Cable Tool, rotate the Fuel Tube Bushing (a) counter clockwise and remove.
3. Remove the Fuel Tube O-ring (b) using the end of the fuel line or a safety pin.
4. Inspect and replace if worn or damaged.

Control Valve O-ring

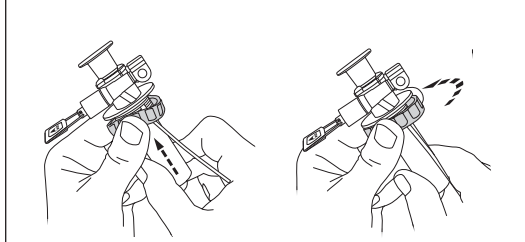
1. Using the Jet & Cable Tool, loosen the Stop Nut (c).
2. Unscrew and remove the Control Valve (d).
3. Inspect and replace O-rings if worn or damaged (d).

Pump Seal/Fuel Bottle O-ring

1. The Pump Seal/Fuel Bottle O-ring (e, n) surrounds the pump body.
2. (Pump A) Remove the Fuel Bottle O-ring (n) with safety pin. (Pump B) Remove the Pump Seal (e) with your thumbs.
3. Replace Pump Seal/Fuel Bottle O-ring if worn or damaged. See Illustration 4. Ensure that top edge of Pump Seal seats securely over rim on pump body. A small amount of pump cup oil or soapy water can be used to help seat the seal.

ILLUSTRATION 4

Replacing Pump Seal (Pump B)



LUBRICATING THE PUMP CUP

PUMP A

Remove the Pump Plunger

1. Rotate the shaft of the pump plunger (f) counterclockwise, removing the plunger bushing (g) from the body of the pump.
2. Rub MSR Pump Cup Oil (or other mineral-based oil or saliva) onto Pump Cup (h).

Replace the Pump Plunger

1. Carefully insert the pump cup into the plunger cylinder. If the pump cup is leather, ensure that it does not fold or deform.
2. Rotate the plunger bushing clockwise until it locks in place.
- Note: To replace Pump Cup, firmly press new Pump Cup onto the Plunger tip.

PUMP B

Note: Instructions showing 1, 2, and 3 arrows and "OPEN HERE" position are printed on the Plunger Shaft. See Illustration 5 to identify pump parts.

1. Push Plunger (f) in halfway so that Arrow 1 is lined up with the Plunger Bushing (g).
2. Twist the Plunger counterclockwise (Arrow 2) until you hear it click free.
3. Pull out the Plunger (Arrow 3).
4. Rub MSR Pump Cup Oil (or other mineral-based oil or saliva) onto the Pump Cup (h).
5. To reinsert: Hold the Plunger Shaft and align the top of the Plunger Bushing with Arrow 1 on the Plunger Shaft.
6. Align the Plunger Bushing Legs with the Locking Holes (i) in the Pump Body.
7. Push the Plunger and Plunger Bushing into the Pump Body until the Legs snap into the locking holes.

Note: To replace Pump Cup, firmly press new Pump Cup onto the Plunger tip.

CLEANING THE CHECK VALVE

If the stove does not maintain pressure, the Check Valve may not be functioning properly.

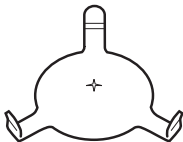
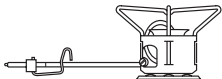
1. Turn the Check Valve (j) counterclockwise and remove the Check Valve Assembly.
- Note: Pump A parts are loose. Do not drop.
2. Clean any debris from the seal and cavity.
3. Reinsert the Check Valve Assembly.



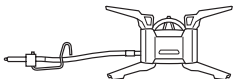
Mountain Safety Research
4000 First Avenue South
Seattle, WA 98134 U.S.A.
Phone: 800-531-9531
206-505-9500
www.msrgear.com

ATTENTION!

XGK™



XGK EX™



#119327-1



MOUNTAIN SAFETY RESEARCH®